

Spec Sheet: ZBK25

- **Description:** Switch disconnecter rated up to 25A at 690V AC with padlocking handle (up to 3x locks).
- **Features :** Handle degree of protection is IP65, **long life**
Din Rail Mount, **faster installation**
Red/Yellow handles, **easy to identify**
Single hole handle mounting, **quick and easy to mount**
- **Application:** Main or Emergency Motor Field Isolators.
- **Certification:** International Electrotechnical Commission EN 60947.3

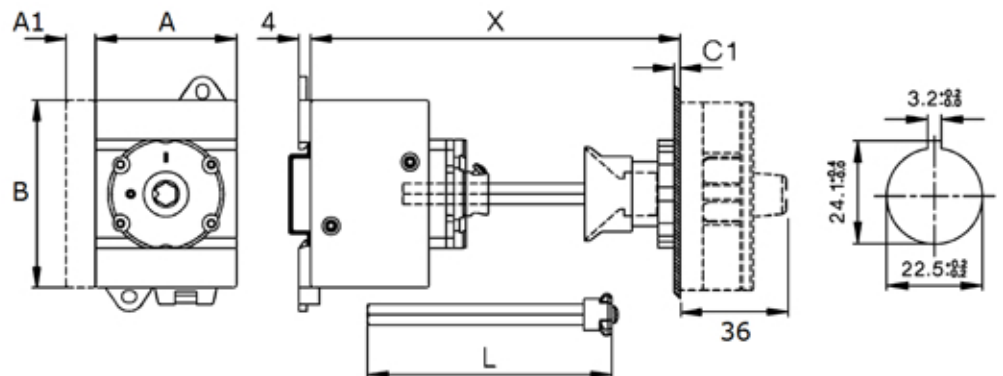


Accessories

- **Aux Contacts:** 1 x N/C + 1 x N/O snap-on **ZBKLH11**

Dimensions & Ratings

<i>Free air thermal current (I_{th})</i>	25A
<i>Enclosed thermal current (I_{the})</i>	25A
<i>Rated insulation voltage (U_i)</i>	690V
<i>Rated operational voltage (U_e)</i>	690V
<i>Rated impulse withstand voltage (U_{imp})</i>	6kV
Rated operational current & power	
at 415V AC-21A	25A
at 415V AC-23A	20A
at 415V AC-23B	10kW
at 690V AC-23B	7.5kW
at 110V DC-21A	25A
<i>Rated conditional short-cct current fused</i>	10kA
<i>Back up fuse rating</i>	35A
<i>Rated Making Capacity</i>	190A
<i>Rated Breaking Capacity</i>	160A
<i>Short Time Withstand 415V (1sec)</i>	0.3kA
<i>Power Loss / pole</i>	0.6W
<i>Mechanical Endurance</i>	200,000
<i>Weight 3P</i>	0.4kg
<i>Tightening torque(Nm)</i>	0.8-1.7
<i>Cable Size mm²</i>	
stranded	10mm ²
flexible	6mm ²



3P		4P		X			X	
A	A	A1	B	C1	Min	Max	L	
48	48	10	64	1 - 5	91	190	152	

DC Connections

