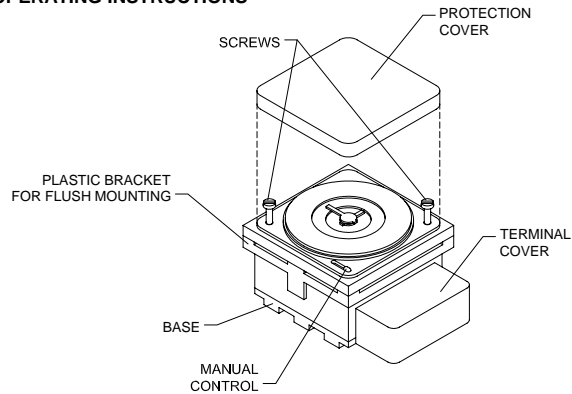


OPERATING INSTRUCTIONS



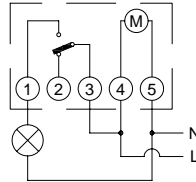
DESCRIPTION:

The ALPHA time switch controls any electrical installation by means of daily (D and QRD) or weekly (S and QRS) programs.

INSTALLATION:

Loosen the screws to remove the clock base. Connect the wires according to the diagram on the base. The clock is suitable for surface, panel or DIN rail mounting.

CONNECTION SCHEME:



PROGRAMME:

For setting the programme, move the pins to IN or OUT position. As the pins activate a changeover contact, consider that the pins in OUT position close the contact between terminal 1 and 3 on the IN position terminal 2 and 3.

TO SET:

Turn the dial by moving the minute dial.

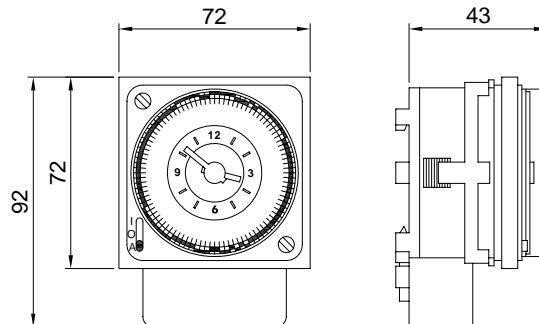
MANUAL OVERRIDE:

- A = Auto. Time programmed.
- O = Off. Permanently off (output terminal 2).
- I = On. Permanently on (output terminal 1).

MINIMUM TIME BETWEEN ON-OFF:

- 15 minutes on daily dial.
- 2 hours on weekly dial.

DIMENSIONS:



ATTENTION:

This unit incorporates, a battery which contents can be harmful to the environment. Please do not throw it away without removing the battery and putting it in the proper container for recycled batteries or to send the complete unit back to the factory.

A016.27.41556



ORBIS TECNOLOGÍA ELÉCTRICA, S.A.

Lérida, 61

E-28020 MADRID

Teléfono: +34 91 5672277;

Fax: +34 91 5714006

E-mail: info@orbis.es

<http://www.orbis.es>