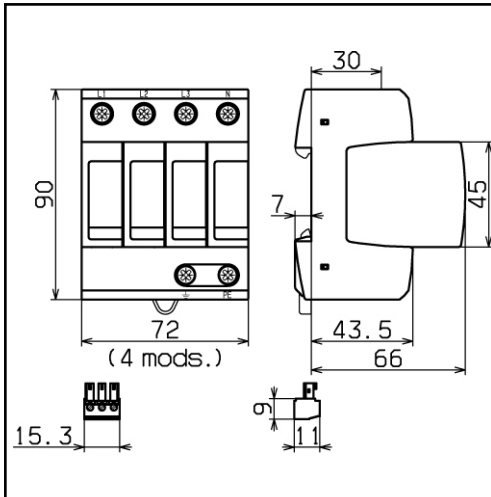
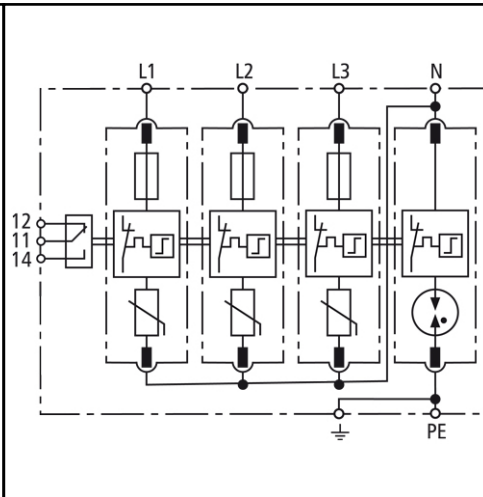


SPDS TYPE 2

DG M TT CI 275



Dimension drawing DG M TT CI ... FM



Basic circuit diagram DG M TT CI ... FM



Prewired complete unit for TT and TN-S systems consisting of a base part and plug-in protection modules with integrated backup fuses

Energy coordination within the Red/Line family

High discharge capacity due to heavy-duty zinc oxide varistors / spark gaps

High reliability due to "Thermo Dynamic Control" SPD monitoring device

Operating state/fault indication of every protective path

Multifunctional terminals for connecting conductors and busbars

Easy replacement of protection modules without tools due to module locking system with module release button

DG M TT CI ... (FM): Modular surge arrester with integrated backup fuses for TT and TN-S systems ("3+1" circuits)

DG M TT CI 275

SPD according to EN 61643-11	Type 2
SPD according to IEC 61643-1	Class II
Nominal a.c. voltage [U _N]	230/400 V
Max. continuous operating a.c. voltage [L-N] [U _C]	275 V
Max. continuous operating a.c. voltage [N-PE] [U _C]	255 V
Nominal discharge current (8/20 μs) [L-N] [I _n]	12.5 kA
Nominal discharge current (8/20 μs) [N-PE] [I _n]	20 kA
Max. discharge current (8/20 μs) [L-N] [I _{max}]	25 kA
Max. discharge current (8/20 μs) [N-PE] [I _{max}]	40 kA
Lightning impulse current (10/350 μs) [N-PE] [I _{imp}]	12 kA
Voltage protection level [L-N] [U _{p1}]	≤ 1.5 kV
Voltage protection level [L-N] at 5 kA [U _{p1}]	≤ 1 kV
Voltage protection level [N-PE] [U _{p1}]	≤ 1.5 kV
Follow current extinguishing capability [N-PE] [I _{tr}]	100 A _{rms}
Response time [L-N] [t _A]	≤ 25 ns
Response time [N-PE] [t _A]	≤ 100 ns
Max. mains-side overcurrent protection	not required
Short-circuit withstand capability	25 kA _{rms}
Temporary overvoltage (TOV) [L-N] [U _{T1}]	335 V / 5 sec.
Temporary overvoltage (TOV) [N-PE] [U _{T1}]	1200 V / 200 ms
TOV characteristics	withstand
Operating temperature range [T _{U1}]	-40°C...+80°C
Operating state/fault indication	green / red
Number of ports	1
Cross-sectional area (min.)	1.5 mm ² solid/flexible

Cross-sectional area (max.)	35 mm ² stranded/25 mm ² flexible
For mounting on	35 mm DIN rail acc. to EN 60715
Enclosure material	thermoplastic, red, UL 94 V-0
Place of installation	indoor
Degree of protection	IP 20
Capacity	4 mods., DIN 43880
Approvals, Certifications	KEMA
Ordering information	
Type	DG M TT CI 275
Part No.	952 322
Packing unit	1 pc

We reserve the right to modify design, technology, dimensions, weights and materials according to technical progress. Illustrations are non-binding. Pictures may differ from the modules described.